



Job Name:

Catalog Number:

Type:

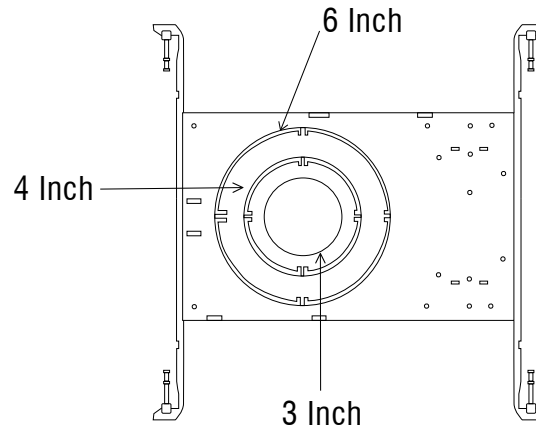
NCMP | NEW CONSTRUCTION MOUNTING PLATE

PRODUCT IMAGE



- New construction flat mounting plate with an asymmetric round hole is a universal and handy solution for new construction
- Included mounting holes and tracks mean this plate will fit perfectly in many different structural layouts
- The extendable hanger bars can be adjusted to fit your needs
- It has a multipurpose design that allows you to accommodate a range of 3", 4", and 6" LED recessed lights
- Made of galvanized sheet material, the mounting plate is rust-resistant
- Convenient and quick to install, it comes with duplex head nails, you can also secure the J-box position
- Remove the metal template of the needed size and install your recessed lights

DIMENSIONS



ORDERING INFORMATION

EXAMPLE ORDERING NUMBER : NCMP-R-U-FA

Family	Cut Hole Shape	Cut Hole Size	Installation	Options
NCMP	R - Round S - Square	3 - 3 Inch 4 - 4 Inch 6 - 6 Inch U - Universal (3/4/6 Inch)	FA - Flat Asymmetric	Blank - Not required