



Job Name:

Catalog Number:

Type:

HBUFO SERIES | UFO HIGH-BAY LIGHT

FEATURES

- Available in: 100W and 200W
- Energy efficient design with reliable performance
- High-efficacy up to 130 LPW
- Reliable driver features smooth & uniform dimming
- Die cast hook mount standard for ease of installation

CONSTRUCTION

- UFO high bay LED light is using a Magnesium Aluminum Alloy Heat Sink; the design is part of the efficiency, it helps transfer thermal properties more evenly
- The efficiency of this product is up to 130LPW with transparent lens
- Suitable for ambient temperatures up to 122F and can be installed in wet locations
- Mount option: Hanging Hook Standard
- Factory Installed 6' Whip for Hardwiring (no plug)

ELECTRICAL

- Accommodates 120-277VAC at 50/60Hz
- Luminaire utilizes high-efficacy LED packages maintained at cool temperatures for long life
- Reliable driver features continuous dimming
- Energy saving compared to fluorescent systems and HID systems
- Power factor more than 0.90

LIGHT SOURCE

- Clear tempered glass lens
- Delivers bright, white light and excellent uniformity
- Placement, spacing, and aperture of LEDs provides a 120 degree spread of light
- Light source's available in 2700K, 3000K, 4000K, 5000K and 6000K
- Comes with CREE SMD 2835 with more than 80+ CRI
- Life: 50,000 hours average life at 122 Degree F ambient temperature

PRODUCT IMAGE



APPLICATIONS

- Warehouses, Storage Facilities, Manufacturing Plants

WARRANTY

- 5-Year limited warranty. Please refer www.highlineled.com/ for complete warranty terms and conditions.

LISTINGS

- ETL Listed
- Wet Location Rated
- DesignLights Consortium® (DLC) qualified product. Not all versions of this product is DLC qualified, Contact our sales rep for DLC qualified products

ORDERING INFORMATION

EXAMPLE ORDERING NUMBER : HBUFO-D-120-100-30-80-WH-120

Family	Dimming	Input	Power/Lumens	CCT	CRI	Finish	Beam Angle	Options
HBUFO	D - Dimming	120 - 120V	100 - 100W, 13000LM	27 - 2700K	80 - 80 CRI	WH - White	60 - 60 Degree	Blank - Not required
	ND - Non-Dimming	UNV - Universal	200 - 200W, 26000LM	30 - 3000K	90 - 90 CRI	BK - Black	120 - 120 Degree	EM08 - 8W 90Mins EM Backup
			40 - 4000K	SR - Silver	EM15 - 15W 90Mins EM Backup			
			50 - 5000K					
			65 - 6500K					





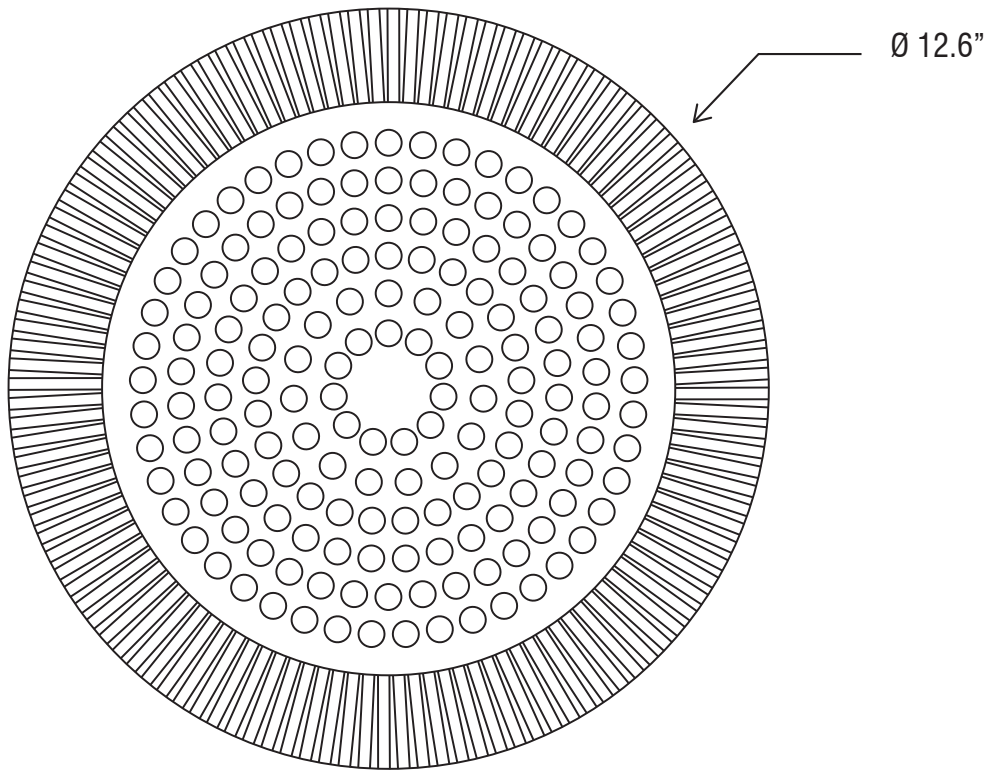
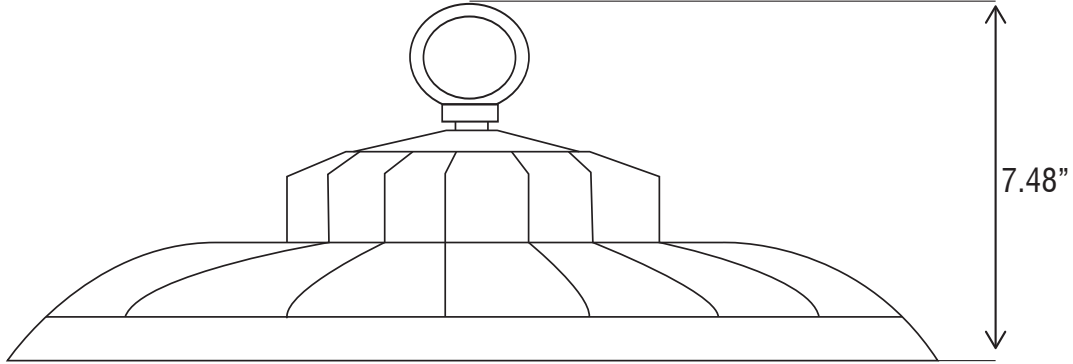
Job Name:

Catalog Number:

Type:

HLUFOL SERIES | UFO HIGH-BAY LED LIGHT

DIMENSIONS



*DUE TO THE CHANGES OF CONSTANT IMPROVEMENT IN LED TECHNOLOGY, ALL DETAILS ARE SUBJECT TO CHANGE WITHOUT NOTICE. CONSULT FACTORY FOR UP TO DATE INFORMATION.