



Job Name:

Catalog Number:

Type:

T81700 SERIES | LED T8 TUBES (TYPE-B)

FEATURES

- Replacement for conventional fluorescent T8 and T12 linear tubes
- **Type-B-Ballast bypass application with double ended power and works directly on: 120-277V line voltage**
- Aluminium + Clear PC body, high efficacy up to 120LPW, CRI>80
- Long 50,000 hour rated life which minimizes replacements and labor costs

CONSTRUCTION

- These T8's are designed with Aluminium Base and a frosted PC housing which allows for safe installation in fixtures, with or without wire guard
- This tube installs directly into your fixture's original shunted sockets (tombstones), which means you will not need to retrofit your fixture with non-shunted sockets
- Environmentally friendly, no mercury used
- Installation type: Type B, Double Ended Wiring, G13 Sockets

ELECTRICAL

- Ballast are compatible for universal input voltage (120-277V AC at 50/60Hz)
- Factory installed internal ballast enables lamp to be wired directly to line voltage without need for an external driver or ballast
- Approximately 50% more energy efficient when compared to fluorescent T8 lamps
- Power Factor more than 0.9
- Total Harmonic Distortion less than 20%

LIGHT SOURCE

- Clear Polycarbonate lens will maintain the same light quality over time
- LED light engines are rated for 50,000 hours life with more than >80 CRI (standard)
- Light engine's available in 3000K, 4000K, 5000K and 6500K
- High efficacy light source can reach up to 120 lm/watt
- Light source create even illumination at beam angle of 180°

PRODUCT IMAGE



T8 Type-B, Double Ended Powered

APPLICATIONS

- Storage areas, Stairwell lights, Utility rooms, Workshops, Corridors

WARRANTY

- 5-Year limited warranty. Please refer www.highlineled.com/ for complete warranty terms and conditions.

LISTINGS

- ETL Listed
- DesignLights Consortium® (DLC) qualified product. Not all versions of this product may be DLC qualified. Please contact our sales rep for list of DLC approved products
- Suitable for damp locations



ORDERING INFORMATION

EXAMPLE ORDERING NUMBER : T81700-ND-UNV-4-18-65-80-G13

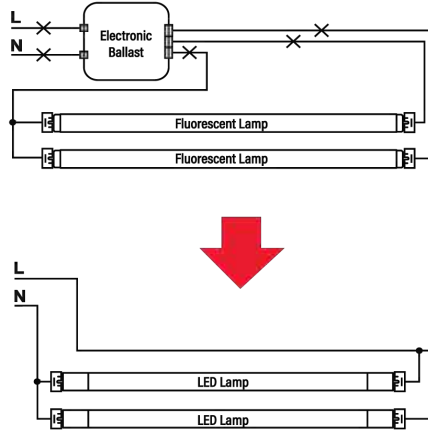
*NOTE: Only "8' Feet - 40W" version is available in FA8 Base

Family	Dimming	Input	Size	Power/Lumens	CCT	CRI	Base Type	Options
T81700	D - Dimming	120 - 120V	2 - 2' Feet	10 - 10W, 1200LM	30 - 3000K	80 - 80 CRI	G13 - G13 Base	Blank - Not options
	ND - Non-Dimming	277 - 277V	3 - 3' Feet	12 - 12W, 1440LM	40 - 4000K	90 - 90 CRI		
			4 - 4' Feet	18 - 18W, 2160LM	50 - 5000K			
	UNV - Universal	8 - 8' Feet	40 - 40W, 4800LM	65 - 6500K	FA8* - FA8 Base			



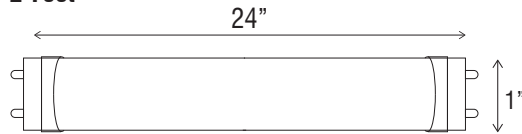
T81700 SERIES | T8 DOUBLE ENDED

WIRING DIAGRAM

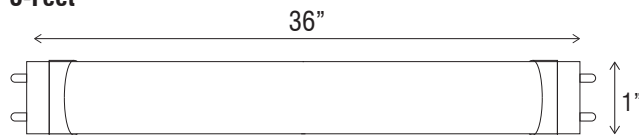


DIMENSIONS

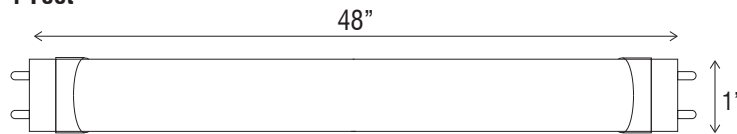
2-Feet



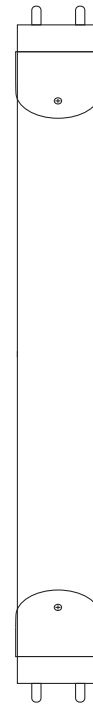
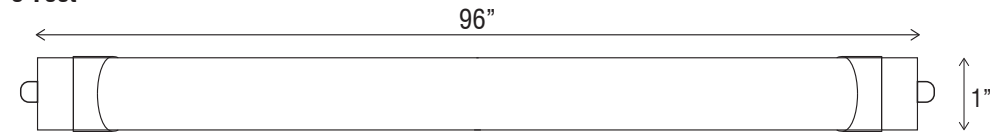
3-Feet



4-Feet



8-Feet



*DUE TO THE CHANGES OF CONSTANT IMPROVEMENT IN LED TECHNOLOGY, ALL DETAILS ARE SUBJECT TO CHANGE WITHOUT NOTICE. CONSULT FACTORY FOR UP TO DATE INFORMATION.