



Job Name:

Catalog Number:

Type:

SSSP | SQUARE STRAIGHT STEEL POLE

FEATURES

- The SSSP Series Square Straight Steel poles are from high strength steel tubes and are available side drilled for arm mounted area lighting luminaires or with tenon mounts for flood and post top luminaires.
- Typical area lighting applications include retail centers, industrial parks, schools and universities, public transit and airports, office buildings and medical facilities.
- Mounting heights of 10 to 25 feet can be used based on selected luminaire application.
- Conforms to ASTM-A 500 grade B: Minimum yield strength of 46,000 PSI.
- Wall Thickness in 11 gauge (.120") or 7 gauge (.180").
- ANCHOR BOLTS:** Anchor bolts are included, sized based on pole data charts for the selected pole sizes
- GROUNDING:** Provision located inside hand hole rim. Grounding hardware is not included (provided by others).
- POLE TOP:** A flush non-metallic black top cap is provided for all poles that will receive drilling patterns for side-mount luminaire arm assemblies or ordered with accessory
- HANDHOLE:** A reinforced handhole with grounding provision is provided at 18" from the base on side A.
- Positioning the handhole lower may not be possible and requires engineering review; consult Tech Support-Outdoor for further information.
- Every handhole includes a cover and cover attachment hardware.
- The handhole has a nominal dimension of 2.5" x 5".
- BASE COVER:** Poles are provided with a two-piece formed steel base cover that is easily assembled and fitted over pole base.
- MOUNTING OPTION:** Available side drilled for 2@180 degrees or 4@90 degrees, includes polycarbonate top cover and hole plugs for unused drilling locations
- Poles may also be ordered with 2^{3/8} OD tenons for use with post top decoratives luminaires, flood/area slip fitter fixtures, or any of a wide variety of pole top, mounting accessories.
- FINISH:** Textured architectural bronze powdercoat finish, baked to ensure maximum paint adhesion, hardness and durability.

PRODUCT IMAGE



WARRANTY

- 5-Year limited warranty. Please refer www.highlineled.com/ for complete warranty terms and conditions.



ORDERING INFORMATION

EXAMPLE ORDERING NUMBER : SSSP-15-BZ-D4

Family	Height/Shaft/Gauge			Finish	Pole Top Mounting	Drill Template	Options
SSSP	4" SQUARE	4" SQUARE	5" SQUARE	WH - White	D2 - Drilled 2 Sides at	Blank - Poles with P2 Tenon	Blank - Not Required
	11 GAUGE :	7 GAUGE :	7 GAUGE :	BK - Black	180° with plugs (1)	S - Standard Arm/Accessories	LAB - Less Anchor Bolts
	15411 = 15'	15407 = 15'	15507 = 15'	BZ - Bronze	D4 - Drilled 4 Sides with	D - Kitty Hawk Arm	(2)
	20411 = 20'	20407 = 20'	20507 = 20'	GR - Graphite	Plugs (1)	C - Custom (Specify)	LCB - Less Base Cover (3)
	25411 = 25'	25407 = 25'	25507 = 25'	SR - Silver	P2 - 2 ^{3/8} x 4"H Tenon		



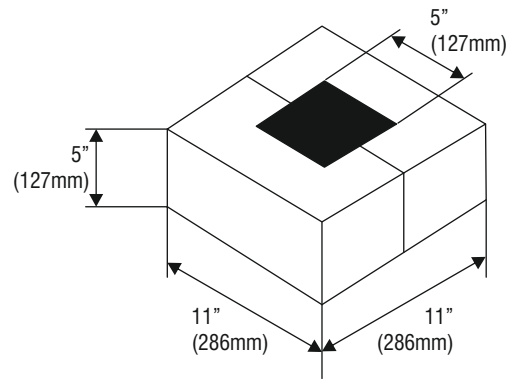
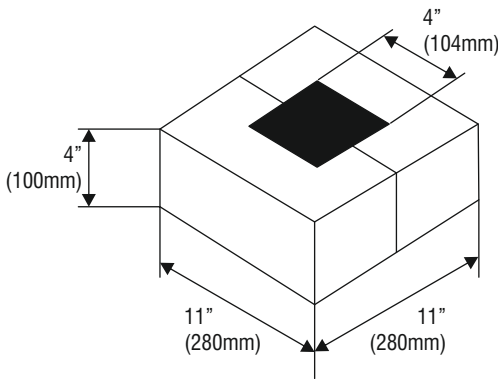
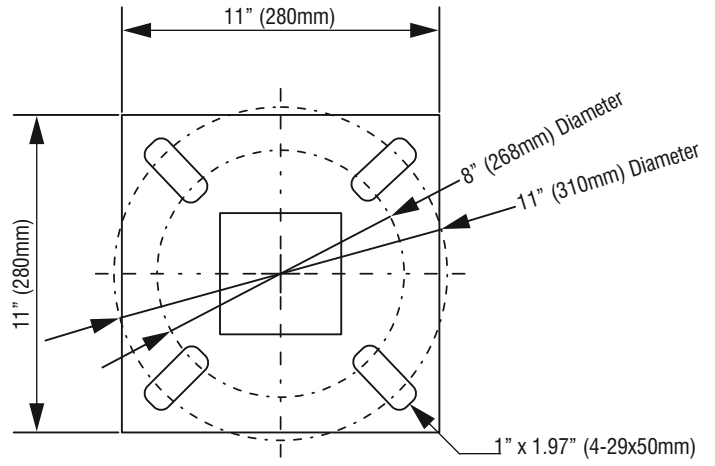
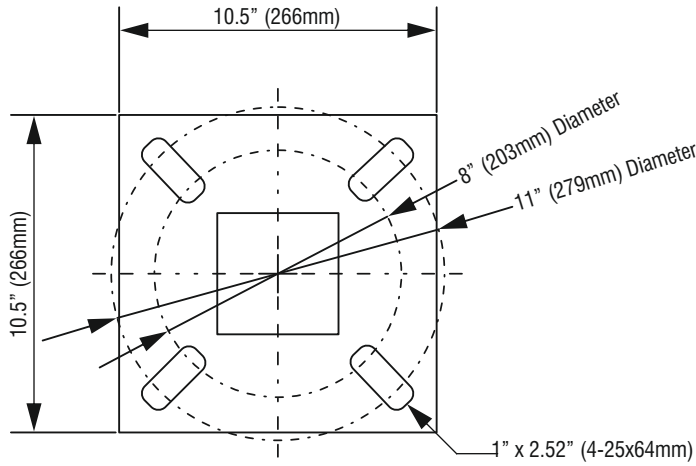
Job Name:

Catalog Number:

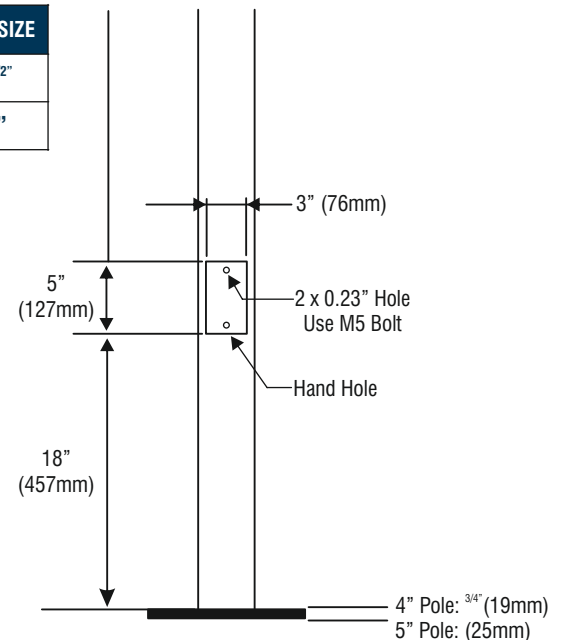
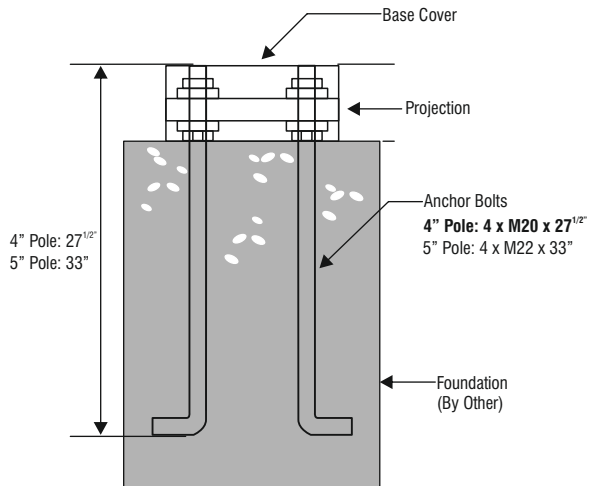
Type:

SSSP | SQUARE STRAIGHT STEEL POLE

POLE DATA



SHAFT BASE SIZE	BOLT CIRCLE	BOLT SIZE	BASE THICKNESS	BOLT PROJECTION	ANCHOR BOLT SIZE
4" SSSP	8"-11" (203-279mm)	10.5" (266mm)	3/4"	4"	M20 x 27 ^{1/2} "
5" SSSP	10.6"-12" (268-310mm)	11" (280mm)	1"	4"	M22 x 33"



*All dimensions and specifications are subject to change without any notice. HIGHLINE LED is not responsible for any claims arising from improper loading (what is attached to the light pole), improper use, incorrect foundation design and/or installation