



Job Name:

Catalog Number:

Type:

## WRPRDS SERIES | LED WRAPAROUND

### FEATURES

- Ideal replacement for less efficient fluorescent wrap/strip fixtures
- Features full length wrap-around U-shaped prismatic polycarbonate lens
- Efficacy up to 130LPW
- Universal Voltage 120/277VAC, 0-10V dimmable standard
- Multiple installation options available

### CONSTRUCTION

- Durable galvanized steel body construction with white polyester powder coat finish
- The white frosted diffuser provides even illumination and softens the appearance of the LEDs for improved aesthetics
- Tool-less lens retention design for easy maintenance
- Thermal formed diffuser is of highly transmissive material to minimize lamp image and provides high-angle brightness control
- One piece contemporary design wrap around diffuser soften appearance for improved aesthetics

### ELECTRICAL

- Input Voltage: 120-277VAC at 50/60Hz
- Dimmable UL-Class, high-efficiency driver, provide superior illumination for extended service life
- Surface mount fixture mounts to recessed junction box, electrical connections must be made inside junction box
- Power Factor more than 0.9
- Total Harmonic Distortion more than 10%

### LIGHT SOURCE

- Light source available in high efficacy up to 130 lm/watt
- Light Engines are rated for 50,000 hours life with more than 80 CRI standard
- Long-life LEDs, coupled with a high-efficiency driver, provide superior illumination for extended service life.70% LED lumen maintenance at 50,000 hours (L70/50,000)
- Light Engine's available in 3000K, 4000K & 5000K (Selectable with Switch)

### PRODUCT IMAGE



### APPLICATIONS

- Storage areas, Stairwell, Utility rooms, Workshops, Corridors

### WARRANTY

- 5-Year limited warranty. Please refer [www.highlineled.com/](http://www.highlineled.com/) for complete warranty terms and conditions.

### LISTINGS

- ETL Listed
- Damp Location Rated

## ORDERING INFORMATION

EXAMPLE ORDERING NUMBER : WRPRDS-ND-UNV-4-40-30-80-WH

Family	Dimming	Input	Size	Power/Lumens	CCT	CRI	Finish	Options
WRPRDS	D - Dimming	120 - 120V	4 - 4' Feet	40 - 40W, 5200LM	30 - 3000K	80 - 80 CRI	WH - White	Blank - Not required
	ND - Non-Dimming	277 - 277V			40 - 4000K			90 - 90 CRI
		UNV - Universal			50 - 5000K			V-HK - V-Hook for suspension mount
					MCCT - Multi CCT Selectable w/ Switch 30K/40K/50K			EM15 - 15W 90Mins EM Backup
								MS - Motion Sensor
								OS - Occupancy Sensor
								JB - Joiner Brackets





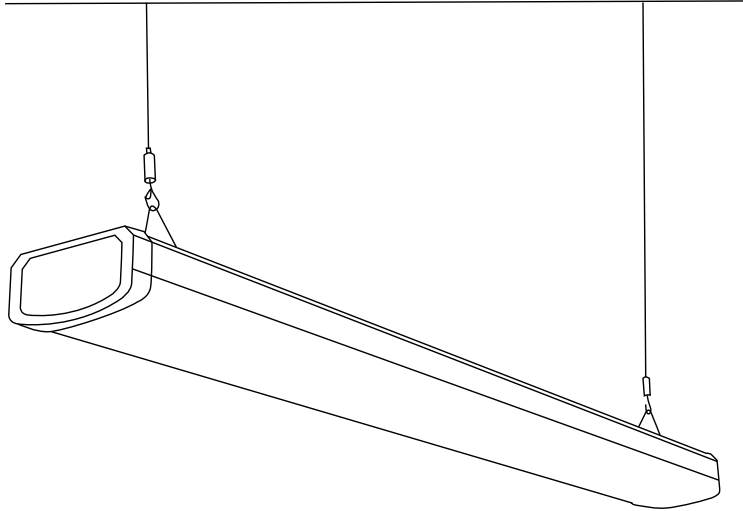
Job Name:

Catalog Number:

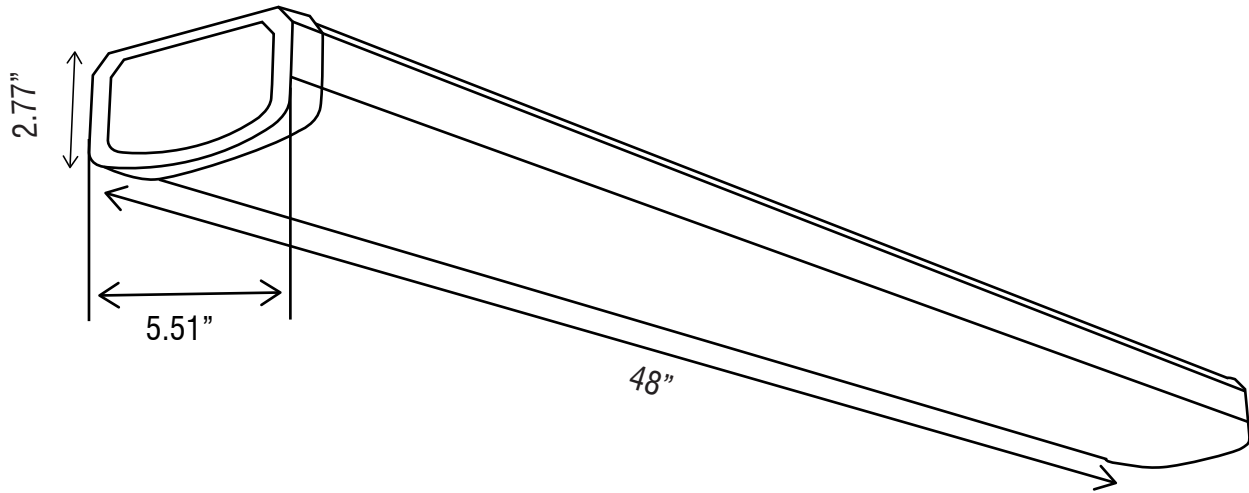
Type:

# WRPRDS SERIES | LED WRAPAROUND

## MOUNTING OPTIONS/ACCESSORIES



## DIMENSIONS



\*DUE TO THE CHANGES OF CONSTANT IMPROVEMENT IN LED TECHNOLOGY, ALL DETAILS ARE SUBJECT TO CHANGE WITHOUT NOTICE. CONSULT FACTORY FOR UP TO DATE INFORMATION.