



Job Name:

Catalog Number:

Type:

WRPRDS SERIES | LED WRAPAROUND

FEATURES

- Ideal replacement for less efficient fluorescent wrap/strip fixtures
- Features full length wrap-around U-shaped prismatic polycarbonate lens
- Efficacy up to 130LPW
- Universal Voltage 120/277VAC, 0-10V dimmable standard
- Multiple installation options available

CONSTRUCTION

- Durable galvanized steel body construction with white polyester powder coat finish
- The white frosted diffuser provides even illumination and softens the appearance of the LEDs for improved aesthetics
- Tool-less lens retention design for easy maintenance
- Thermal formed diffuser is of highly transmissive material to minimize lamp image and provides high-angle brightness control
- One piece contemporary design wrap around diffuser soften appearance for improved aesthetics

ELECTRICAL

- Input Voltage: 120-277VAC at 50/60Hz
- Dimmable UL-Class, high-efficiency driver, provide superior illumination for extended service life
- Surface mount fixture mounts to recessed junction box, electrical connections must be made inside junction box
- Power Factor more than 0.9
- Total Harmonic Distortion more than 10%

LIGHT SOURCE

- Light source available in high efficacy up to 130 lm/watt
- Light Engines are rated for 50,000 hours life with more than 80 CRI standard
- Long-life LEDs, coupled with a high-efficiency driver, provide superior illumination for extended service life. 70% LED lumen maintenance at 50,000 hours (L70/50,000)

PRODUCT IMAGE



APPLICATIONS

- Storage areas, Stairwell, Utility rooms, Workshops, Corridors

WARRANTY

- 5-Year limited warranty. Please refer www.highlineled.com/ for complete warranty terms and conditions.

LISTINGS

- ETL Listed
- Damp Location Rated
- DesignLights Consortium® (DLC) qualified product. Not all versions of this product may be DLC qualified. Please contact our sales rep for list of DLC approved products.

ORDERING INFORMATION

EXAMPLE ORDERING NUMBER : WRPRDS-ND-UNV-4-48-30-80-WH

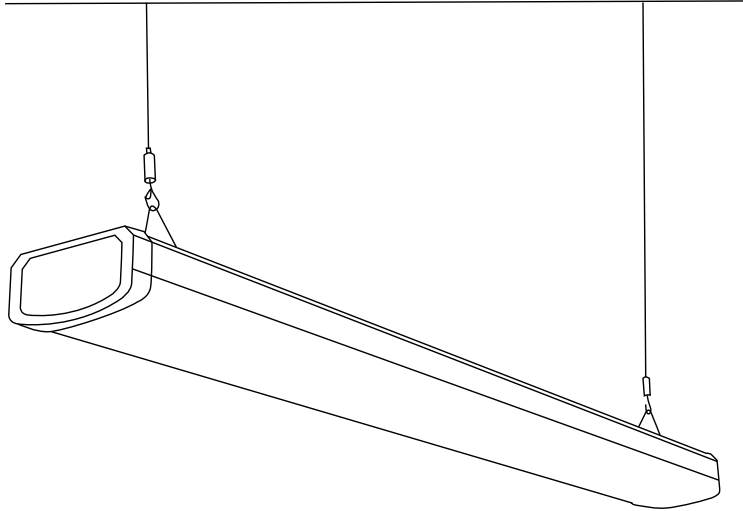
Family	Dimming	Input	Size	Power/Lumens	CCT	CRI	Finish	Options
WRPRDS	D - Dimming	120 - 120V	2 - 2' Feet	20 - 20W, 2600LM	30 - 3000K	80 - 80 CRI	WH - White	Blank - Not required
	ND - Non-Dimming	277 - 277V		35 - 3500K	90 - 90 CRI			AC10 - 10' Long Aircraft Cable
		UNV - Universal	4 - 4' Feet	32 - 32W, 4160LM	40 - 4000K	V-HK - V-Hook for suspension mount		
				40 - 40W, 5200LM	45 - 4500K	EM08 - 8W 90Mins EM Backup		
			48 - 48W, 6240LM	50 - 5000K	EM15 - 15W 90Mins EM Backup			
				65 - 6500K	MS - Motion Sensor		OS - Occupancy Sensor	
								JB - Joiner Brackets



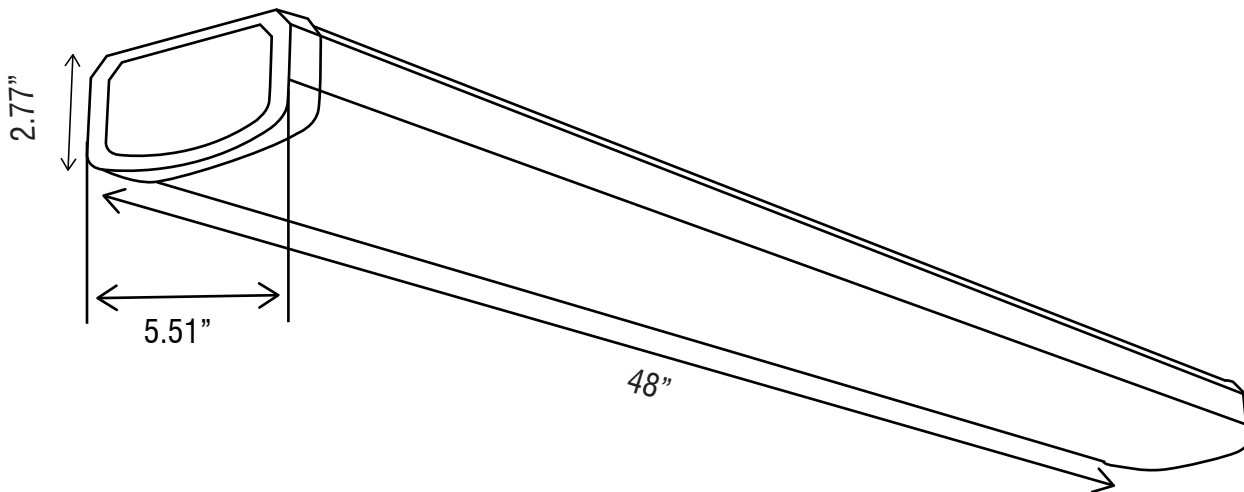
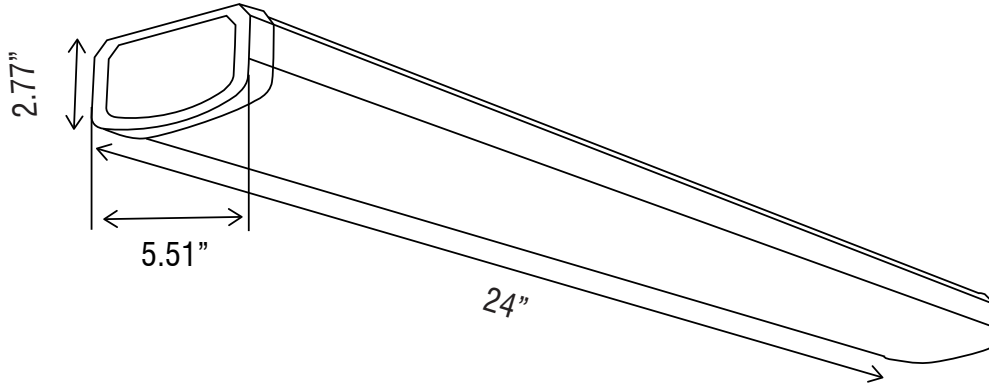


WRPRDS SERIES | LED WRAPAROUND

MOUNTING OPTIONS/ACCESSORIES



DIMENSIONS



*DUE TO THE CHANGES OF CONSTANT IMPROVEMENT IN LED TECHNOLOGY, ALL DETAILS ARE SUBJECT TO CHANGE WITHOUT NOTICE. CONSULT FACTORY FOR UP TO DATE INFORMATION.