



Job Name:

Catalog Number:

Type:

PTDECO SERIES | POST TOP LIGHT

FEATURES

- Post Top mounts to a wide range of existing round poles and can deliver a greater than 50% reduction in energy usage over traditional HID sources.
- High efficacy LEDs, up to 130LPW
- Expected life of 50,000 hours with <1% failure rate
- Class 1 electronic driver has power factor >90%
- Available in 30K to 65K with more than 80 CRI.

CONSTRUCTION

- Single-piece die-cast aluminum housing with nominal wall thickness of .012".
- Die-cast top access doorframe has impact-resistant, tempered glass lens (3/16" thick).
- Doorframe is fully gasketed with one-piece tubular silicone.
- Exterior parts are protected by a zinc-infused Super Durable TGIC thermoset powder coat finish that provides superior resistance to corrosion and weathering.

ELECTRICAL

- Light engine consists of high-efficacy LEDs mounted to a metal-core circuit board and aluminum heat sink, ensuring optimal thermal management and long life.
- Class 1 electronic driver has a power factor >90%, THD <20%
- Expected life of 50,000 hours with <1% failure rate.
- 50% reduction in energy usage over traditional HID sources.
- LED source provides high efficacy nighttime illumination.

LIGHT SOURCE

- Precision acrylic refractive optics for optimum light distribution through the flat glass lens.
- Light engines are available in standard 3000K to 6500K configurations with more than 80 CRI.
- Provides high-quality illumination ideal for applications requiring energy-savings and long-life.
- High efficacy up to 130LPW

PRODUCT IMAGE



APPLICATIONS

- Building Entryways, Walking paths, and pedestrian plazas

WARRANTY

- 5-Year limited warranty. Please refer www.highlineled.com/ for complete warranty terms and conditions.

LISTINGS

- ETL Listed
- Wet Location Rated

ORDERING INFORMATION

EXAMPLE ORDERING NUMBER : PTDECO-ND-UNV-100-30-80-BK-T5-RD



RoHS
Compliant



--	--	--	--	--	--	--	--	--

Family	Dimming	Input	Power/Lumens	CCT	CRI	Finish	Distribution	Options	
PTDECO	D - Dimming	120 - 120V	80 - 80W, 10400LM	30 - 3000K	80 - 80 CRI	WH - White	T2 - Type II	Blank - No option required	
	ND - Non-Dimming	277 - 277V	100 - 100W, 13000LM	40 - 4000K	90 - 90 CRI	BK - Black	T3 - Type III	EM08 - 8W 90Mins EM Backup	
		UNV - Universal			50 - 5000K		BZ - Bronze	T4 - Type IV	EM15 - 15W 90Mins EM Backup
						60 - 6000K		GR - Graphite	
						SR - Silver	SYM - Symmetric		



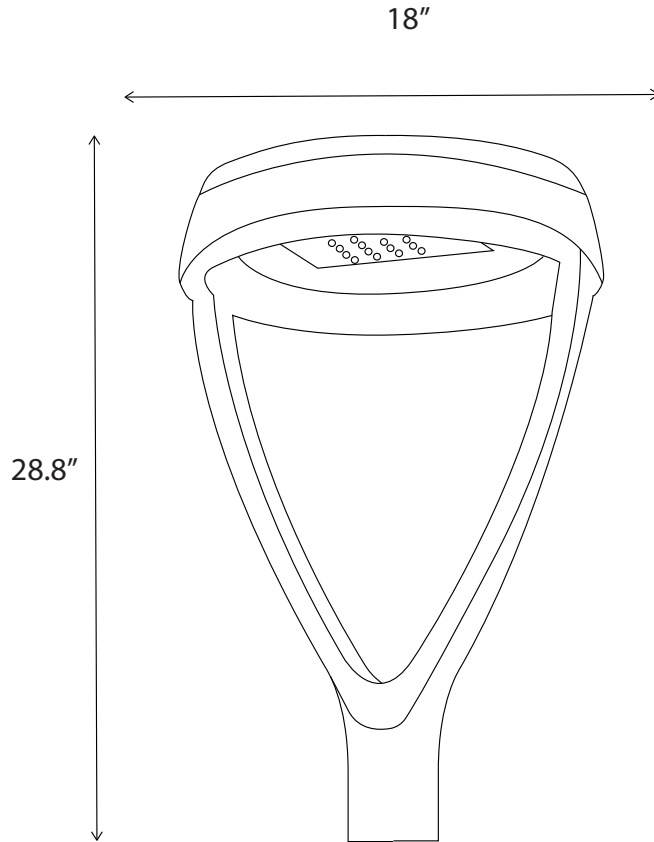
Job Name:

Catalog Number:

Type:

PTDECO SERIES | POST TOP LIGHT

DIMENSIONS



*DUE TO THE CHANGES OF CONSTANT IMPROVEMENT IN LED TECHNOLOGY, ALL DETAILS ARE SUBJECT TO CHANGE WITHOUT NOTICE. CONSULT FACTORY FOR UP TO DATE INFORMATION.