



Job Name:

Catalog Number:

Type:

## DL1303 | PINHOLE DOWNLIGHT

### FEATURES

- Available in multiple trim options: Slot trim, Open trim and Pinhole trim
- Compact size and high efficacy luminaire up to 70 lm/watt
- Non Dimming driver standard, 0-10V dimming optional
- Expected life span is 30,000 hours, LM70 approved light source

### CONSTRUCTION

- Die-cast aluminum housing with white powder coat finish
- IC Rated Junction box included with fixture, can be installed in direct contact with insulation
- Fixture is IC Rated Air Tight, and comes with mounting springs with no housing required
- High quality trims are die-cast aluminum and finished with durable powder coat available in multiple finishes, inner black finish standard
- Aluminium heat sink for better thermal properties

### ELECTRICAL

- Accommodates 120/277VAC at 50/60Hz
- Dimmable down to 10% using TRIAC dimmer
- Power Factor is more than 0.9
- Total Harmonic Distortion less than 20%
- Life span of 30,000 hours, L70 approved light source

### LIGHT SOURCE

- Light engine's available in 2700K, 3000K, 3500K, 4000K, 5000K, 6500K
- Deliverable lumens are 500lm and 700lm
- Superior Color Rendering Index of more than 80, CRI>90 available on special order
- Comes with various beam angle of 15°, 24° & 38° (For custom beam angle, consult factory)

### PRODUCT IMAGE



### APPLICATIONS

- Residential, Hospitality, Retail, Office

### WARRANTY

- 5-Year limited warranty. Please refer [www.highlineled.com/](http://www.highlineled.com/) for complete warranty terms and conditions

### LISTINGS

- ETL Listed
- ENERGY STAR Certified
- Damp Location Rated



## ORDERING INFORMATION

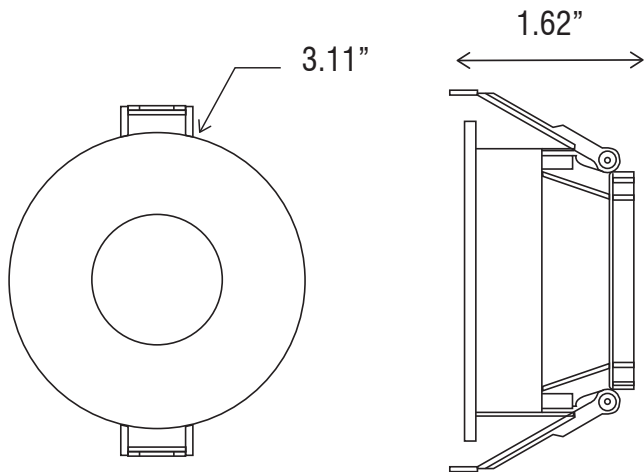
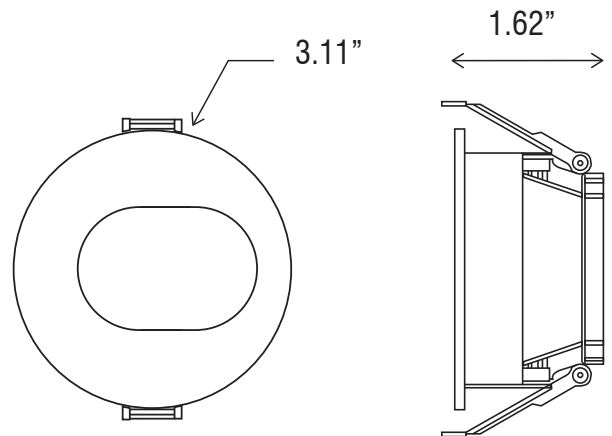
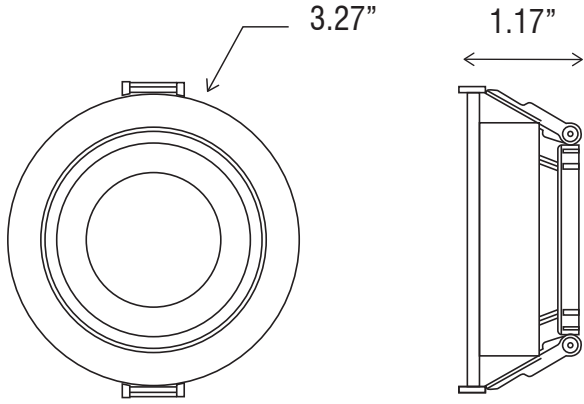
EXAMPLE ORDERING NUMBER : DL1303-3-ND-UNV-10-27-38-WH-PH-WH

Family	Size	Dimming	Input	Power/Lumens	CCT	Optics	Ref. Finish	Trim Type	Options
DL1303	3 - 3" Inch	D - Dimming	120 - 120V	7 - 7W, 490LM	27 - 2700K	15 - 15°	WH - White	OT - Open Trim	Blank - Not required
		ND - Non-Dimming	277 - 277V	10 - 10W, 700LM	30 - 3000K	24 - 24°	BK - Black	PH - Pin Hole Trim	EM08 - 8W, 90Mins
			UNV - Universal		35 - 3500K	38 - 38°	SR - Silver	ST - Slot Trim	EM Backup
					40 - 4000K				MP - Mounting Plate
					50 - 5000K				
					65 - 6500K				
								<b>Trim Finish</b>	
								WH - White	
								BK - Black	
								SR - Silver	



# DL1303 | PINHOLE DOWNLIGHT

## DIMENSIONS



\*DUE TO THE CHANGES OF CONSTANT IMPROVEMENT IN LED TECHNOLOGY, ALL DETAILS ARE SUBJECT TO CHANGE WITHOUT NOTICE. CONSULT FACTORY FOR UP TO DATE INFORMATION.