



Job Name:

Catalog Number:

Type:

DLARG2 SERIES | ARCHITECTURAL DOWNLIGHT

FEATURES

- Available in 4" and 6" configurations
- Cree TrueWhite COB led technology
- Compatible with most of the dimmers available in market, 0-10V dimming driver dims upto 10%
- Uniform illumination & minimum glare with multiple beam angle and reflector options
- Dry and Damp location rated, also available in wet location rated for covered ceilings

CONSTRUCTION

- Heavy-gauge galvanized steel housing provides a secure mounting platform for the electrical components and protects the optical assembly
- Universal mounting brackets adjust vertically and accept L-BAR interlocking, expandable c-channel hanger bars which are supplied standard
- Engineered heat sink provides passive cooling for optimum heat management of the LED engine, ensures longer life
- Light engine and drivers are accessible from above or below ceiling

ELECTRICAL

- Accommodates at 120-277V at 50/60Hz
- UL Class-2 driver ensures safe operation for expected life span
- Drivers are dimmable up to 10% with 0-10V dimming options
- Power Factor is more than 0.9
- Total Harmonic Distortion less than 20%

LIGHT SOURCE

- COB LED light source concealed with diffusing optical lens or clear lens optics
- Self-flanged anodized reflectors in specular, semi-specular, or matte diffuse finishes
- Light engine's available in 2700K, 3000K, 3500K, 4000K, 5000K, 6500K
- Superior color rendering options, CRI > 80 is standard and CRI > 90 on special orders
- Efficacy is 80lm/w and provides uniform illumination with minimum glare
- Cree TrueWhite technology available

PRODUCT IMAGE



APPLICATIONS

- Residential, Hospitality, Retail, Office

WARRANTY

- 3-Year limited warranty. Please refer www.highlineled.com/ for complete warranty terms and conditions

LISTINGS

- ETL Listed
- ENERGY STAR Rated
- Damp Location Rated

ORDERING INFORMATION

EXAMPLE ORDERING NUMBER : DLAR4-ND-UNV-20-35-90-WH-SF

Family	Dimming	Input	Power/Lumens	CCT	CRI	Reflector Finish	Beam Angle	Options
DLARG2 4" Model	D - Dimming	120 - 120V	13 - 13W, 1040LM	27 - 2700K	80 - 80 CRI	HZ - Haze	15 - 15 Degree	Blank - Not required
	ND - Non-Dimming	277 - 277V	20 - 20W, 1600LM	30 - 3000K	90 - 90 CRI	WH - White	30 - 30 Degree	EM08 - 8W, 90Mins EM Backup
		UNV - Universal	25 - 25W, 2000LM	35 - 3500K		40 - 4000K	CL - Clear	60 - 60 Degree
DLARG2 6" Model			30 - 30W, 2400LM	50 - 5000K		Trim Finish		
			36 - 36W, 2880LM	65 - 6500K		SFW - SF White	120 - 120 Degree	
			42 - 42W, 3360LM			SF - Self Flange		
						NF - No Flange		



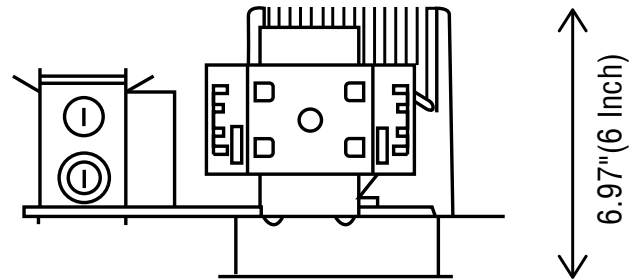
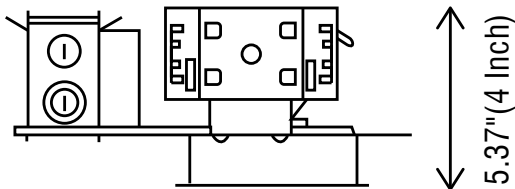
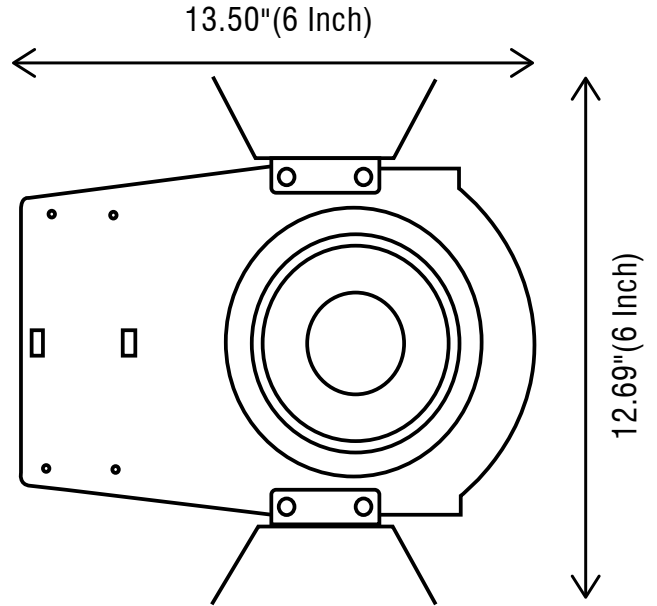
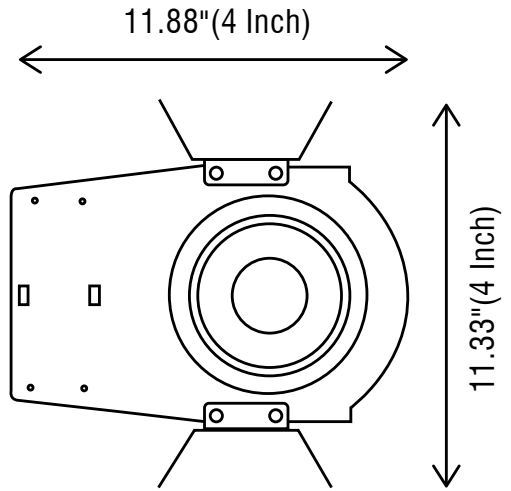
RoHS Compliant





DLARG2 SERIES | ARCHITECTURAL DOWNLIGHT

DIMENSIONS



*DUE TO THE CHANGES OF CONSTANT IMPROVEMENT IN LED TECHNOLOGY, ALL DETAILS ARE SUBJECT TO CHANGE WITHOUT NOTICE. CONSULT FACTORY FOR UP TO DATE INFORMATION.