



Job Name:

Catalog Number:

Type:

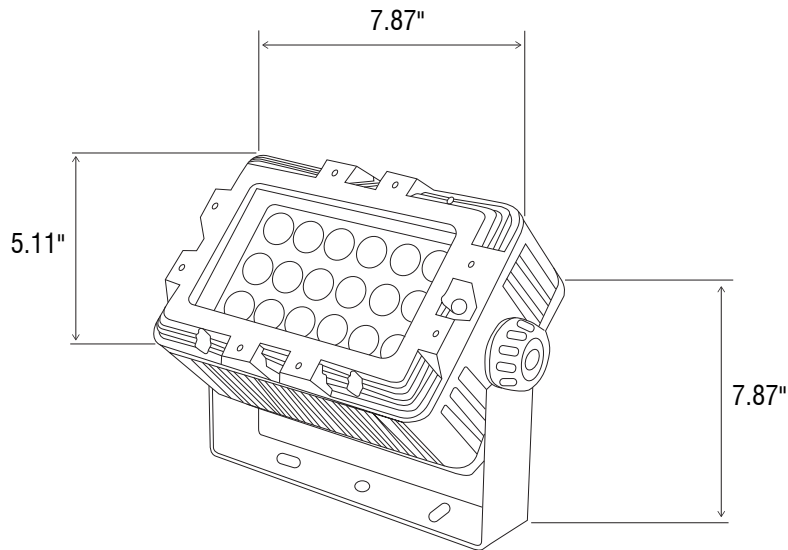
WWGEN2 SERIES | LED WALL WASHER

PRODUCT IMAGE



- Die-cast aluminum housing has integral heat sink to optimize thermal management through conductive and convective cooling
- Housing is completely sealed against moisture and environmental contaminants (IP66)
- Light engine's consists of CREE LED's directly coupled to the housing to maximize heat dissipation and promote long life up to 50,000 hours
- This luminaire uses 120-277VAC electronic drivers that are dimming capable and ensure system power factor >90% and THD <20%
- Yoke mount allows mounting to solid surfaces, this luminaire are suitable for aiming in any orientation and is also rated to be installed on ground
- It can also be tilted from 0° horizontal facing downwards, up to 180° horizontal facing upwards
- Certifications: ETL Listed
- Warranty: 5 Years

DIMENSIONS



ORDERING INFORMATION

EXAMPLE ORDERING NUMBER : WWGEN2-ND-UNV-36-40-YK

Family	Dimming	Input	Power/Lumens	CCT	Mounting	Options
WWGEN2	D - Dimming	120 - 120V	36 - 36W, 4680LM	30 - 3000K	YK - Yoke Mount	Blank - Not required
	ND - Non-Dimming	277 - 277V	45 - 45W, 5850LM	40 - 4000K		
		UNV - Universal		50 - 5000K		
				65 - 6500K		
				R - Red		
				G - Green		
				B - Blue		