



Job Name:

Catalog Number:

Type:

VT1800 SERIES | LED VAPOR TIGHT

FEATURES

- Cost effective solid state LED solution for utility lighting applications replacing fluorescent luminaires
- Universal 120-277V operation standard with 0-10V dimming control optional.
- Includes multiple knockouts for pendant and conduit mounting
- Available in surface mount hardware, V-hooks for hanging and cable gland for sealing power cable entry

CONSTRUCTION

- Available in 2' and 4' versions
- Light gray, fully gasketed, polycarbonate housing with multiple polycarbonate captive latches provides a watertight seal.
- The high-impact resistant housing and extruded silicone rubber gasket protects the internal components from the environment, including moisture and dirt
- Stainless steel, tamper resistant clips
- -22°F to 122°F (-30°C to 50°C) operating temperature

ELECTRICAL

- Accommodates 120/277VAC at 50/60Hz
- UL Class-2, 0-10V Dimmable power supply, up to 10% dimming capabl
- Luminaire Surge Protection Level: Designed to withstand up to 2.5KV/0.75KA per ANSI C82.77-5-2015
- Power factor is more than 0.9
- Total Harmonic distortion less than 20%
- Driver Efficiency more than 85%

LIGHT SOURCE

- UV-stabilized, high-impact, frosted polycarbonate lens for uniform light output and high impact resistance
- Superior color rendering index, more than 80+, & available in CRI 90+ option on demand
- Rated lifetime L70: 50,000 hours
- Light engine's available in 3000K, 3500K, 4000K, 5000K and 6500K
- High efficacy up to 120LPW

PRODUCT IMAGE



APPLICATIONS

- Parking Garage, Low Bay, Warehouses, Industrial/Commercial

WARRANTY

- 3-Year limited warranty. Please refer www.highlineled.com/ for complete warranty terms and conditions

LISTINGS

- ETL Listed
- IP65 and IP66 rated when ceiling, suspended, wall or corner mounted. Junction Box mount rated IP65.
- Wet Location Rated



Wet Location



RoHS Compliant



ORDERING INFORMATION

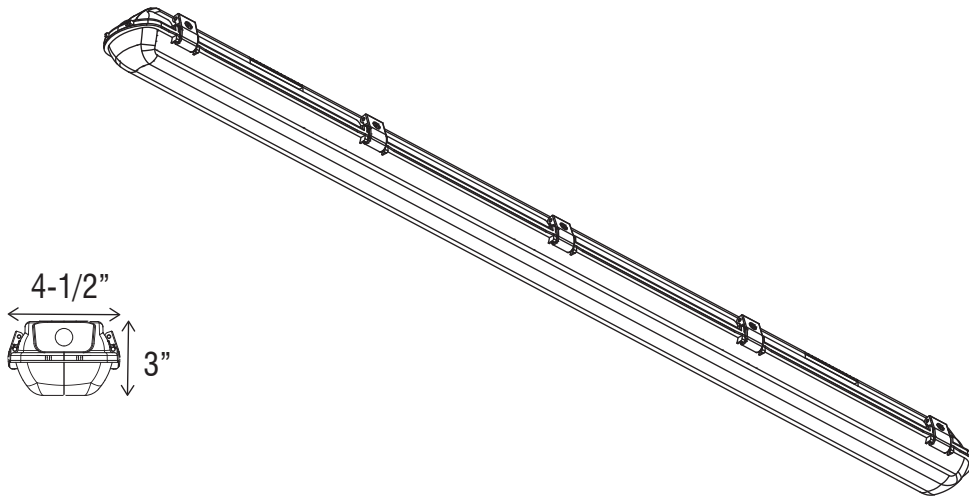
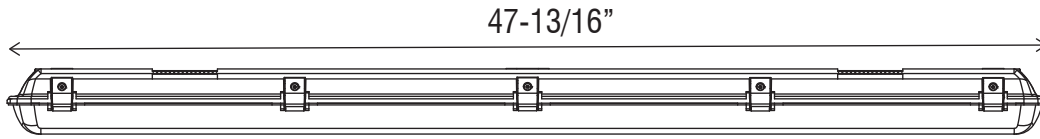
EXAMPLE ORDERING NUMBER : VT1800-ND-UNV-20-30-80-WH-2

Family	Dimming	Input	Power/Lumens	CCT	CRI	Finish	Size	Options
VT1800	D - Dimming	120 - 120V	20 - 20W, 2400LM	30 - 3000K	80 - 80 CRI	WH - White	2 - 2' Feet	Blank - Not required
	ND - Non-Dimming	277 - 277V	50 - 50W, 6000LM	35 - 3500K	90 - 90 CRI		4 - 4' Feet	EM08 - 8W, 90 Mins EM Backup
		UNV - Universal		40 - 4000K	50 - 5000K			EM15 - 15W, 90 Mins EM Backup
				65 - 6500K				



VT1800 SERIES | LED VAPOR TIGHT

DIMENSIONS



*DUE TO THE CHANGES OF CONSTANT IMPROVEMENT IN LED TECHNOLOGY, ALL DETAILS ARE SUBJECT TO CHANGE WITHOUT NOTICE. CONSULT FACTORY FOR UP TO DATE INFORMATION.