



Job Name:

Catalog Number:

Type:

## LNRSTP SERIES | LED STRIP LIGHT

### FEATURES

- Available in 2' & 4' configurations
- Available in lumen packages from 2,600 - 4,550 lumens
- Dimming option available: 0-10V dimming capable (standard)
- Comes with isolated driver for flicker free and maintenance free operations
- Continuous-row mounting is possible

### CONSTRUCTION

- Compact-design channel and cover are formed from code-gauge cold-rolled steel
- Easy to install six-point row aligner included for continuous row mounting
- After fabrication, five-stage iron phosphate pre-treatment ensures superior paint adhesion and rust resistance
- Fixture may be surface mounted with or without hanger, pendant or stem mounted with appropriate mounting options
- Six-point aligner locks in place for easy continuous row mounting

### ELECTRICAL

- Accommodates 120-277VAC at 50/60Hz
- Utilizes high-output LEDs integrated on a two-layer circuit board, ensuring coolrunning operation
- Superior drivers and long-life LEDs provide quality illumination for prolonged service life
- Dimmable power supply 0-10V dimming (standard)
- Power factor is more than 0.9
- Total Harmonic Distortion less than 20%

### LIGHT SOURCE

- Available with or without frosted acrylic lens which eliminates pixels, improves uniformity and minimizes glare
- Light engine's available in 3000K, 3500K, 4000K, 5000K & 6500K
- Superior color rendering index more than 80+
- High efficacy up to 130LPW

### PRODUCT IMAGE



### APPLICATIONS

- Storage areas, Stairwell, Utility rooms, Workshops, Corridors

### WARRANTY

- 5-Year limited warranty. Please refer [www.highlineled.com/](http://www.highlineled.com/) for complete warranty terms and conditions.

### LISTINGS

- ETL Listed
- Suitable for damp locations

### ORDERING INFORMATION

EXAMPLE ORDERING NUMBER : LNRSTP-D-UNV-2-20-30-80-WH-120

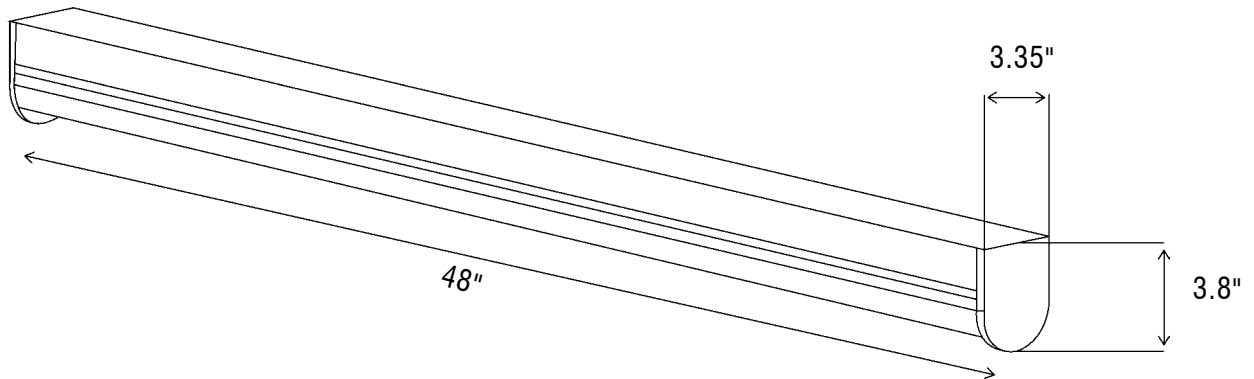
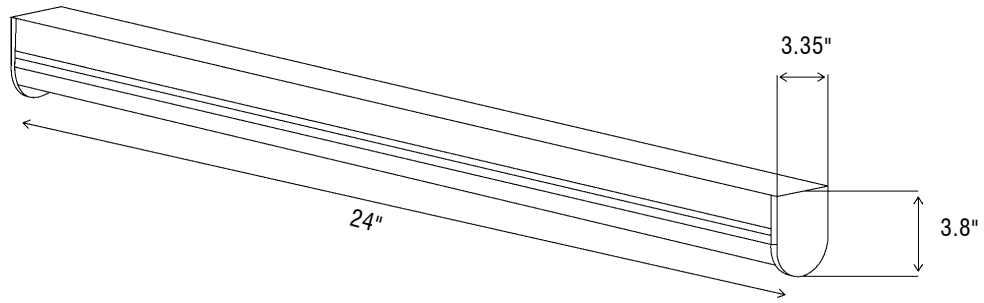
Family	Dimming	Input	Size	Power/Lumens	CCT	CRI	Finish	Options
LNRSTP	D - Dimming	120 - 120V	2 - 2' Feet	20 - 20W, 2600LM	30 - 3000K	80 - 80 CRI	WH - White	Blank - Not required
	ND - Non-Dimming	277 - 277V	4 - 4' Feet	35 - 35W, 4550LM	35 - 3500K	90 - 90 CRI		CR - Continuous Run
		UNV - Universal			40 - 4000K			V-HK - V-Hook for suspension mount
					50 - 5000K			EM08 - 8W 90 Mins EM Backup
					65 - 6500K			EM15 - 15W 90Mins EM Backup
								MS - Motion Sensor
								OS - Occupancy Sensor
								JB - Joiner Brackets





# LNRSTP SERIES | LED STRIP LIGHT

## DIMENSIONS



\*DUE TO THE CHANGES OF CONSTANT IMPROVEMENT IN LED TECHNOLOGY, ALL DETAILS ARE SUBJECT TO CHANGE WITHOUT NOTICE. CONSULT FACTORY FOR UP TO DATE INFORMATION.