



Job Name:

Catalog Number:

Type:

## DL6500 SERIES | LED DOWNLIGHT

### FEATURES

- Available in 4" and 6" sizes
- Available in 13 watts and 28 watts
- High quality light output and efficiency
- Easy installation for new construction or remodel
- LED Module maintains at least 70% light output for 50,000 hours

### CONSTRUCTION

- Aluminum die cast outer frame
- Durable, powder coat finish to prevent rust
- Round fixture with high efficacy LEDs
- Steel spring clip for easy installation
- IC rated driver and fixture approved for direct contact with insulation
- Ideal for shallow ceiling plenum; no housing required

### ELECTRICAL

- Connect directly to 120V power supply via provided UL recognized driver
- Dimming down to 10%
- High efficient driver with power factor 0.9
- Total Harmonic Distortion less than 20%
- 4°F to 104°F operating temperature

### LIGHT SOURCE

- Polycarbonate lens provides even illumination throughout the space
- LED module maintains at least 70% light output for 50,000 hours
- Light engine's available in 3000K, 4000K, 5000K, 6500K
- Superior color rendering index more than >80+
- High efficacy luminaire up to 110LPW
- Provides beam angle of 90°

### PRODUCT IMAGE



### APPLICATIONS

- Residential, Hospitality, Retail, Office

### WARRANTY

- 3-Year limited warranty. Please refer [www.highlineled.com/](http://www.highlineled.com/) for complete warranty terms and conditions

### LISTINGS

- UL Listed Control Gear
- Damp Location Rated

## ORDERING INFORMATION

EXAMPLE ORDERING NUMBER : DL6500-D-120-13-30-80-WH-15-4RD

Family	Dimming	Input	Power/Lumens	CCT	CRI	Finish	Beam Angle	Options	
DL6500	D - Dimming	120 - 120V	13 - 13W, 1430LM	30 - 3000K	80 - 80 CRI	WH - White	15 - Degree	4RD - 4" Round	
	ND - Non-Dimming	277 - 277V	28 - 28W, 3080LM	40 - 4000K	90 - 90 CRI	BK - Black	30 - 30 Degree	6RD - 6" Round	
		UNV - Universal			50 - 5000K		BZ - Bronze	60 - 60 Degree	4RDEM - Factory installed EM backup
						60 - 6000K		GR - Graphite	120 - 120 Degree
						SR - Silver	180 - 180 Degree		
							SYM - Symmetric		



RoHS Compliant





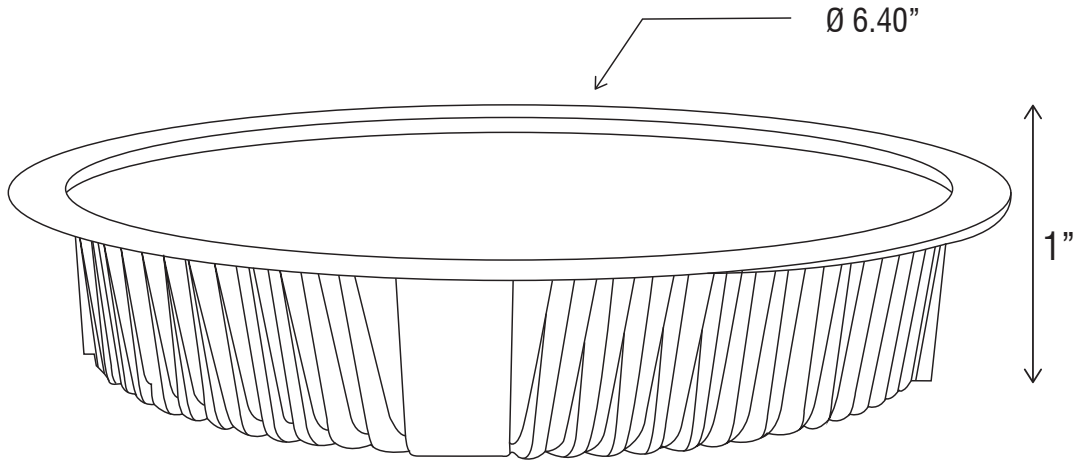
Job Name:

Catalog Number:

Type:

## DL6500 SERIES | LED DOWNLIGHT

### DIMENSIONS



\*DUE TO THE CHANGES OF CONSTANT IMPROVEMENT IN LED TECHNOLOGY, ALL DETAILS ARE SUBJECT TO CHANGE WITHOUT NOTICE.  
CONSULT FACTORY FOR UP TO DATE INFORMATION.