



Job Name:

Catalog Number:

Type:

DLIP65 SERIES | WET RATED DOWNLIGHT

FEATURES

- Replaces 4" or 6" CFL or incandescent downlights
- Provides comfortable diffused light with no dark spots
- High efficacy up to 80LPW
- Comes with SMD 2835 LED chip
- Luminaire is dust-proof, explosion proof and wet location rated
- Provides 120 degree beam angle

CONSTRUCTION

- Durable airtight aluminum body
- Frosted lens for diffuse lighting
- Includes two spring loaded clips to attached to any ceiling material
- IC rated aluminum junction box
- Comes with LED metal electrical conduit pipe and quick line connector
- Luminaire is dust-proof, explosion proof and wet location rated

ELECTRICAL

- Accommodates 120VAC at 60Hz
- Provides maintenance free smooth and flicker free dimming for countless hours^{*(50,000hrs)} with TRIAC dimming with 120V only
- Trim features quick connect plug installed as standard for installation into housings with mating connector
- Trim ships with a medium base socket adapter whip for installation into 6" incandescent housings with medium base sockets

LIGHT SOURCE

- LEDs are mounted directly to aluminum housing providing superior thermal management to ensure long life
- Light engine's available in 3500K, 4000K, 5000K and 6500K color temperatures
- Superior color rendering index of more than 80+
- Rated for 50,000 hours at 70% lumen maintenance
- Comes with SMD 2835 LED chip

ORDERING INFORMATION

EXAMPLE ORDERING NUMBER : DLIP65-ND-120-28-30-80-WH-S

Family	Dimming	Input	Power/Lumens	CCT	CRI	Finish	Trim Type	Options
DLIP65 4" Model	D - Dimming	120 - 120V	13 - 13W, 1040LM	35 - 3500K	80 - 80 CRI	WH - White	S - Smooth Trim	Blank - Not required EM - Factory installed EM battery backup
	ND - Non-Dimming	277 - 277V		40 - 4000K	90 - 90 CRI	BK - Black		
DLIP65 6" Model	UNV - Universal		28 - 28W, 2240LM	50 - 5000K		BZ - Bronze		
				65 - 6500K		GR - Graphite		
				SR - Silver				

PRODUCT IMAGE



APPLICATIONS

- Hotel lobby, Corridors, Shopping Center, Offices, Schools, Hospitals

WARRANTY

- 5-Year limited warranty. Please refer www.highlineled.com/ for complete warranty terms and conditions.

LISTINGS

- ETL Listed
- Energy Star Rated
- Wet Location Rated



Wet Location





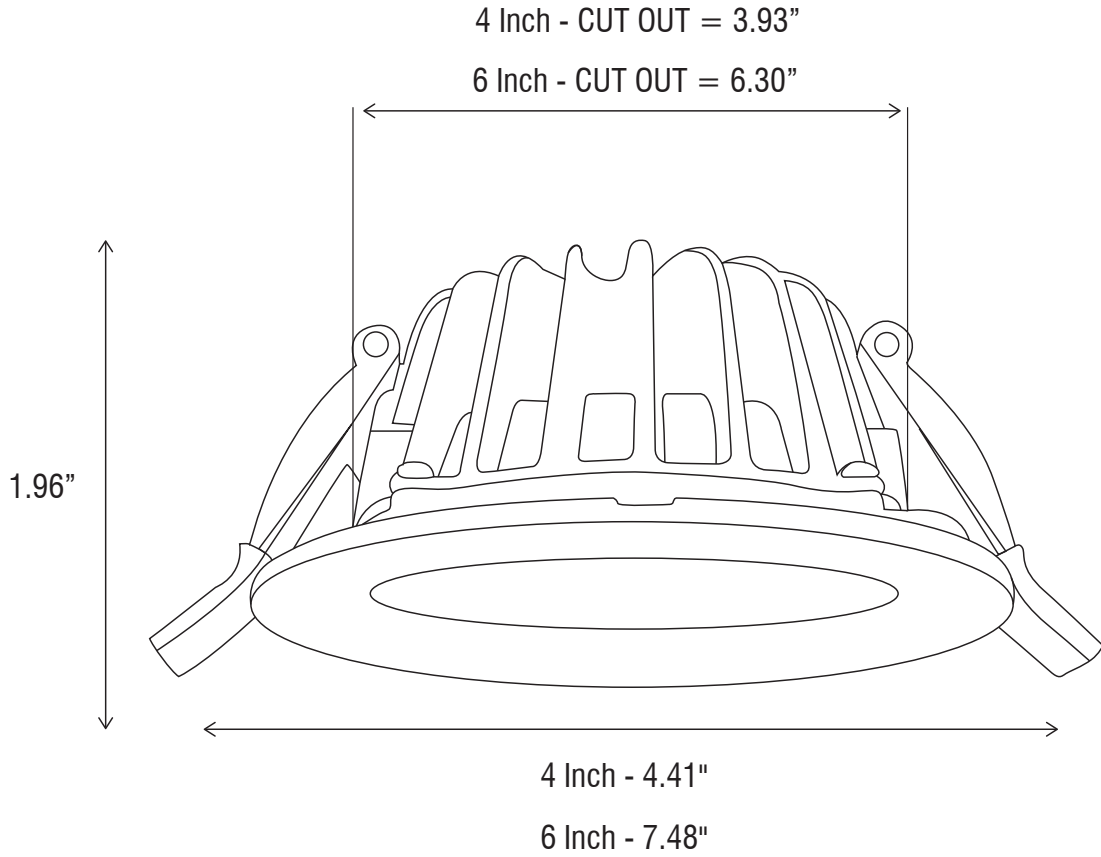
Job Name:

Catalog Number:

Type:

DLIP65 SERIES | WET RATED DOWNLIGHT

DIMENSIONS



*DUE TO THE CHANGES OF CONSTANT IMPROVEMENT IN LED TECHNOLOGY, ALL DETAILS ARE SUBJECT TO CHANGE WITHOUT NOTICE. CONSULT FACTORY FOR UP TO DATE INFORMATION.



Job Name:

Catalog Number:

Type:

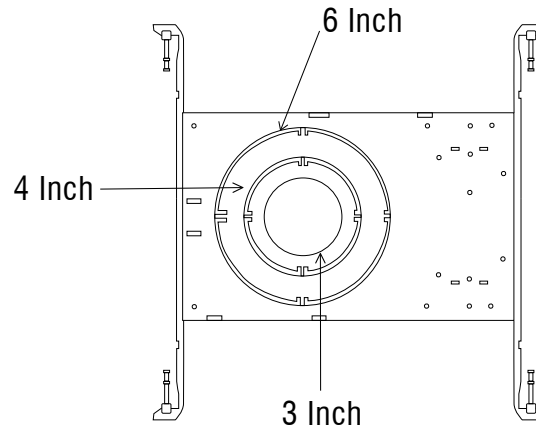
NCMP | NEW CONSTRUCTION MOUNTING PLATE

PRODUCT IMAGE



- New construction flat mounting plate with an asymmetric round hole is a universal and handy solution for new construction
- Included mounting holes and tracks mean this plate will fit perfectly in many different structural layouts
- The extendable hanger bars can be adjusted to fit your needs
- It has a multipurpose design that allows you to accommodate a range of 3", 4", and 6" LED recessed lights
- Made of galvanized sheet material, the mounting plate is rust-resistant
- Convenient and quick to install, it comes with duplex head nails, you can also secure the J-box position
- Remove the metal template of the needed size and install your recessed lights

DIMENSIONS



ORDERING INFORMATION

EXAMPLE ORDERING NUMBER : NCMP-R-U-FA

Family	Cut Hole Shape	Cut Hole Size	Installation	Options
NCMP	R - Round S - Square	3 - 3 Inch 4 - 4 Inch 6 - 6 Inch U - Universal (3/4/6 Inch)	FA - Flat Asymmetric	Blank - Not required