



Job Name:

Catalog Number:

Type:

## EXEDGE SERIES | EXIT SIGN LIGHT

### FEATURES

- Injection-molded acrylic panels, ultrasonically welded to eliminate visible hardware.
- Emergency operation: Sealed maintenance-free nickel-cadmium battery that delivers 90-minute operation.
- The typical life of the exit LED lamp is 10 years.
- Chevron directional indicators available

### CONSTRUCTION

- Injection-molded acrylic panels, ultrasonically welded to eliminate visible hardware. Standard housing finish is brushed aluminum.
- Chevron indicator direction must be specified.
- Mounting canopy for top mount is constructed of extruded aluminum housing to match housing finish.
- Recessed rough-in section constructed of 20-gauge, die-formed galvanized steel. Extruded aluminum housing trim mounts flush onto wall or ceiling.

### ELECTRICAL

- Dual voltage 120/277 VAC input with surge protection. Emer-gency models provide solid-state charging system with low voltage disconnect, AC lockout and brownout features.
- All EXEDGE exits feature a self-diagnostic/selftest circuitry, which will indicate a warning when any of the key components malfunctions and needs replacing.
- The SD/ST circuitry performs an automatic test: 1 minute every month, 30 minutes every 6th month of the year, and a 90 minute test on the 12th month of the year.

### LIGHT SOURCE

- LEDs mounted on printed circuit board. The typical life of the exit LED lamp is 10 years.
- Low energy consumption – EL N operation: only 2.3W for 120V single-face red sign; 1.7W for 120V single-face green sign.
- Non-emergency operation: only 1.5W for 120V single-face red sign; 1.2W for 120V single-face green sign.

### PRODUCT IMAGE



### APPLICATIONS

- Retail, Offices, School/Colleges, Medical facilities

### WARRANTY

- 5-Year limited warranty. Please refer [www.highlineled.com/](http://www.highlineled.com/) for complete warranty terms and conditions.

### LISTINGS

- UL Listed
- Meets UL 924, NFPA 101, NEC, FCC Title 47 7, Part 15, Subpart B and OSHA illumination standards
- Damp Location Rated

### ORDERING INFORMATION

EXAMPLE ORDERING NUMBER : EXEDGE-ND-UNV-SF-RD-WH

Family	Dimming	Input	Number of faces	Letter Color	Finish	Options
EXEDGE	D - Dimming ND - Non-Dimming	120 - 120V 277 - 277V UNV - Universal	SF - Single Face DF - Double Face	RD - Red GR - Green	WH - White SR - Silver	BLANK - Not Required NC - Nickel-cadium battery SD - Self-diagnostics EM - Factory installed EM backup



RoHS  
Compliant



Damp Location



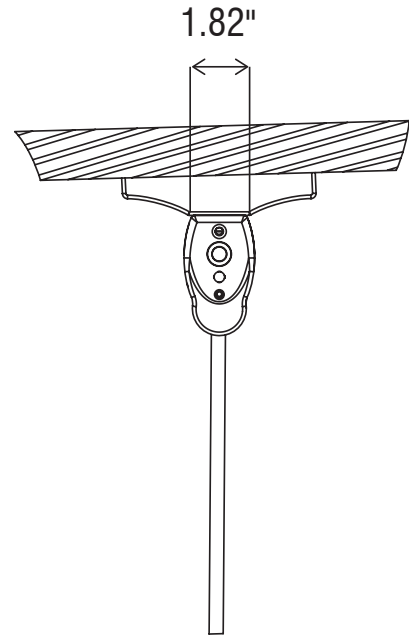
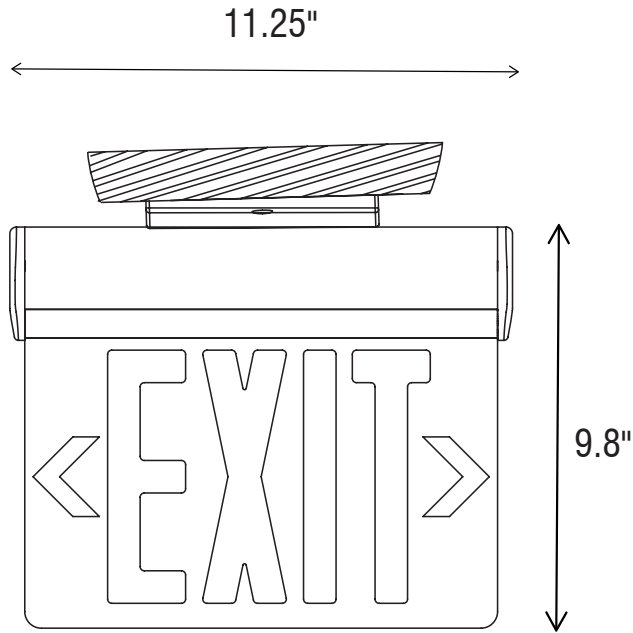
Job Name:

Catalog Number:

Type:

# EXEDGE SERIES | EXIT SIGN LIGHT

## DIMENSIONS



\*DUE TO THE CHANGES OF CONSTANT IMPROVEMENT IN LED TECHNOLOGY, ALL DETAILS ARE SUBJECT TO CHANGE WITHOUT NOTICE. CONSULT FACTORY FOR UP TO DATE INFORMATION.