



Job Name:

Catalog Number:

Type:

IG2600 | IN-GROUND LED LIGHT

FEATURES

- 9 High power, high efficacy LEDs upto 80LPW
- SMD LEDs for super bright, high intensity and low power consumption
- Can withstand normal passenger vehicle traffic
- Extremely long life: up to 50,000 hours
- Suitable for wet location: IP67

CONSTRUCTION

- These recessed in-ground/in-wall lights are waterproof (with an IP67 rating) and feature a #304 stainless steel trim and aluminum body
- Hinged lens ring with captive lens and fasteners, only two fasteners required to secure lens ring
- Silicone-filled wire nuts provided - no encapsulate required
- Single-piece wrap around molded 100% silicone for lens assembly
- Gasket for junction box cover is single-piece die-cut neoprene
- Solid-state construction makes for high shock and vibration resistance

ELECTRICAL

- Accommodates at 120VAC at 60Hz
- Dimming capable 0-10V
- Power Factor is more than 0.9
- Total Harmonic Distortion less than 20%
- -4 to 113 Fahrenheit (-20 to +45 Celsius) operating temperature

LIGHT SOURCE

- 9 High power high efficacy LEDs
- Light engine's available in 3000K, 4000K, 5000K and 6500K
- 50,000 hours of operation life at 25°C ambient temperature and 70% lumen maintenance
- Provides 6 degree beam angle (standard)
- Also available with spot, narrow flood or flood beam pattern

PRODUCT IMAGE



APPLICATIONS

- Corridors, Pathways, Archways, Public park, Landscape Lighting

WARRANTY

- 5-Year limited warranty. Please refer www.highlineled.com/ for complete warranty terms and conditions.

LISTINGS

- ETL Listed
- Wet Location Rated
- Polished 304 Stainless Steel Trim

ORDERING INFORMATION

EXAMPLE ORDERING NUMBER : IG2600-ND-UNV-24-30-80-BK-15-RD13

RoHS
Compliant

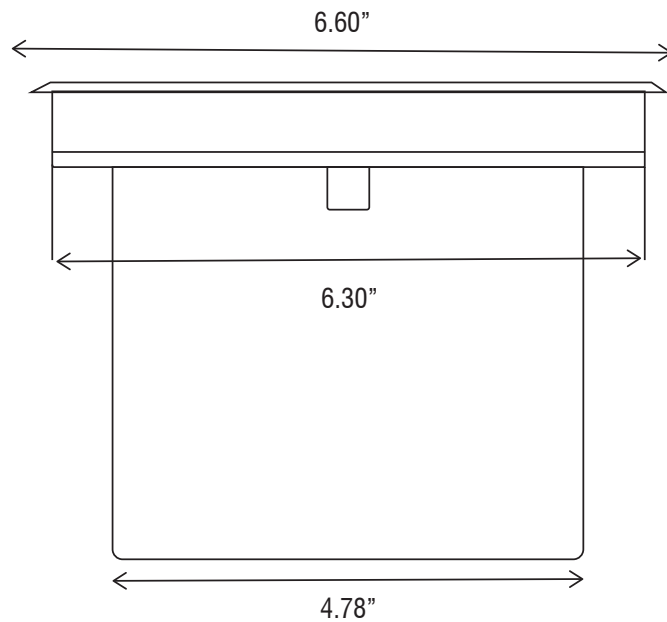
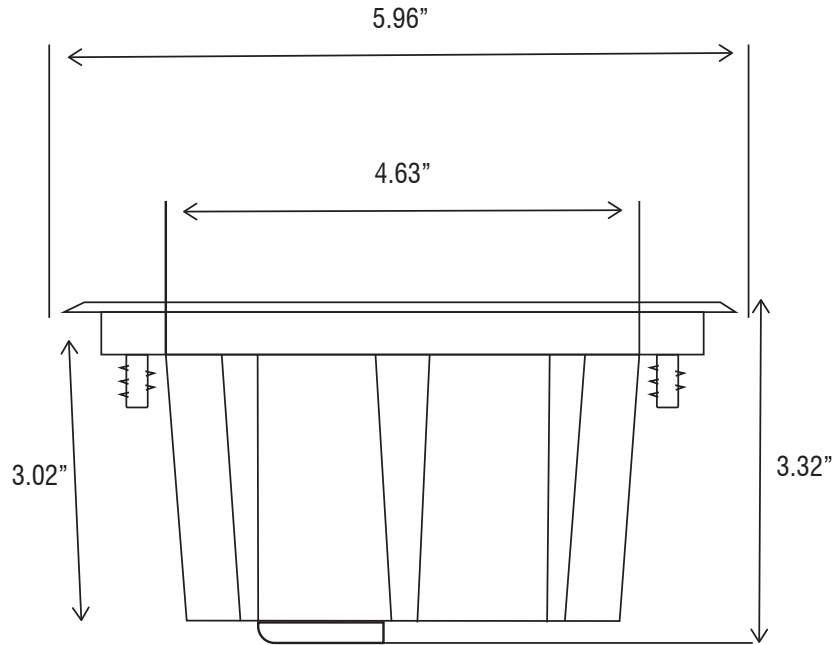
Wet Location

Family	Dimming	Input	Power/Lumens	CCT	CRI	Finish	Distribution	Options
IG2600	D - Dimming	120 - 120V	24 - 24W, 1920LM	30 - 3000K	80 - 80 CRI	WH - White	6 - 6 Degree	Blank - No option required
	ND - Non-Dimming	277 - 277V		40 - 4000K	90 - 90 CRI	BK - Black		
		UNV - Universal		50 - 5000K	BZ - Bronze			
				65 - 6500K	GR - Graphite			
					SR - Silver			



IG2600 | IN-GROUND LED LIGHT

DIMENSIONS



*DUE TO THE CHANGES OF CONSTANT IMPROVEMENT IN LED TECHNOLOGY, ALL DETAILS ARE SUBJECT TO CHANGE WITHOUT NOTICE. CONSULT FACTORY FOR UP TO DATE INFORMATION.