



Job Name:

Catalog Number:

Type:

NCHSG-6 SERIES | 6" LED RECESSED HOUSING

FEATURES

- Removable housing for field inspection of wiring
- Pre-Installed wire quick connects
- Universal junction box with snap-out sides
- Galvanized steel construction
- Rated for direct contact with insulation

CONSTRUCTION

- Housing adjusts for ceiling thickness from 1/2" to 1-1/2" thick, Galvanized steel construction
- Plaster frame features include: Regressed locking screw for securing hanger bars
- Cutouts for easily crimping hanger bars in position
- The housing may be removed from plaster frame to provide access to the junction box

INSTALLATION

- Bar Hanger: Pre-installed nails easily install in regular or engineered lumber
- Bar hangers are adjustable from 13-5/8" to 25" and can be repositioned 90 degree on plaster frame
- Junction Box: Listed for through branch circuit wiring. Contains seven 7/8" knockouts and four Romex pryouts with strain relief

TRIM COMPATIBILITY

- Fit-All concept offers multiple trim options in a variety of design styles, and functional beam distributions to control beam angle and lumen delivery in accommodating various lamp types including Halogen, CFL and LED.

WARRANTY

- 5-Year limited warranty. Please refer www.highlineled.com/ for complete warranty terms and conditions.

PRODUCT IMAGE



LISTINGS

- cULus Listed for Feed Through Wiring
- Certified under ASTM - E283 for Air Tight Construction

ORDERING INFORMATION

EXAMPLE ORDERING NUMBER : NCHSG-6-UNV-R-LED-IC-AT

Family	Size	Input	Construction	Lamp Style	Insulation	Air-Tight
NCHSG	6 - 6" Inches	120 - 120V 277 - 277V UNV - Universal	R - Remodel N - New	C - CFL G - GU LED - LED LV - Low Voltage IN - Incandescent	NIC - Non IC IC - IC	NAT - Non Air-Tight AT - Air-Tight



RoHS Compliant





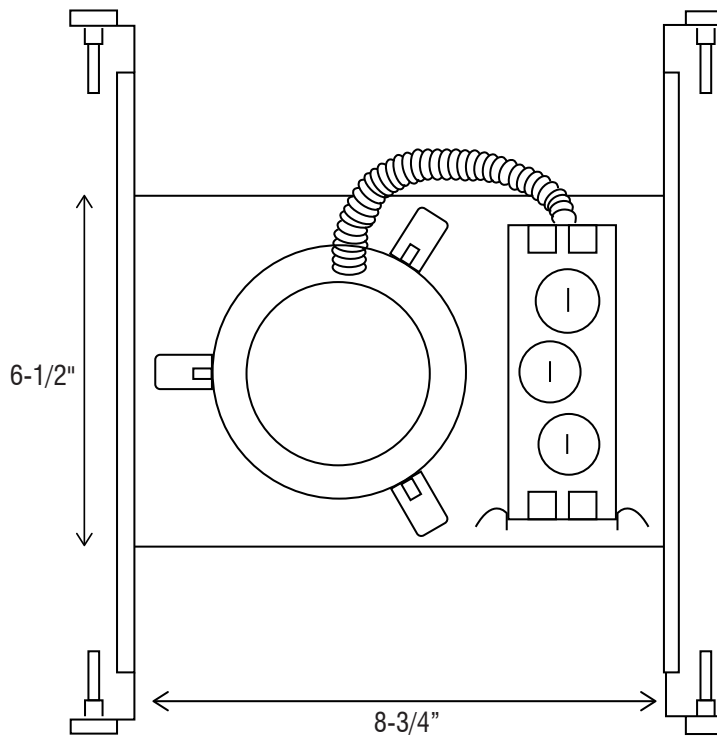
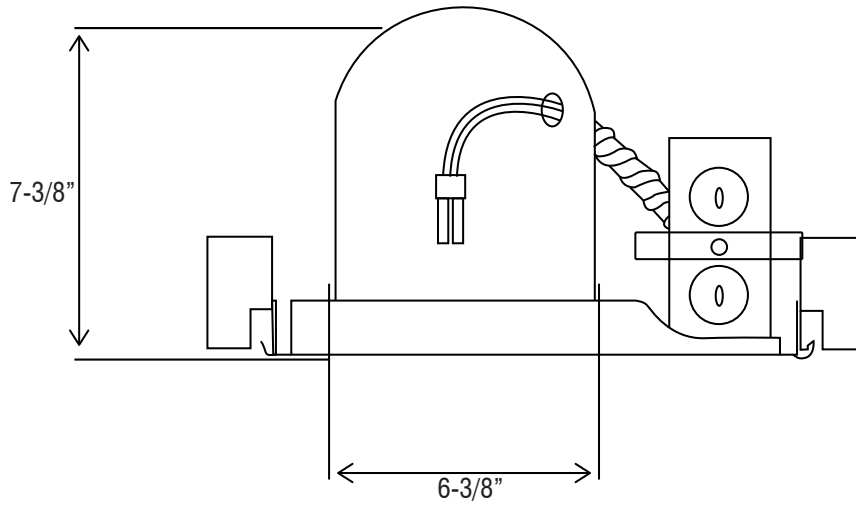
Job Name:

Catalog Number:

Type:

NCHSG-6 SERIES | 6" LED RECESSED HOUSING

DIMENSIONS



*DUE TO THE CHANGES OF CONSTANT IMPROVEMENT IN LED TECHNOLOGY, ALL DETAILS ARE SUBJECT TO CHANGE WITHOUT NOTICE. CONSULT FACTORY FOR UP TO DATE INFORMATION.